

## Properties

Backer standard range of terminal boxes in stock are intended for assembly on Backer immersion/ insertion heaters with screw plugs G2", G1½" and G1¼".

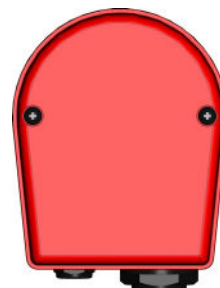
The terminal boxes, with a bottom mould of aluminum alloy and a cover of impact resistant carbonate plastic, are available with a high cover to allow assembly of control equipment options and a low cover if only electric protection should be required. The boxes are rotatable to ensure suitable position of cable entry.

## Technical specification

Material	Bottom mould of aluminum alloy SS EN 1706 Cover in carbonate plastic PC
Cable gland	Pr 28,3 + Pr 18,6 for K7 and K7T Pr 28,3 + Pr 18,6 with strain relief for K8 and K8T
Electric connection	Earth connection
Assembly	Screws 2 pieces included
Application temperature	Max 120°C
Protection class	IP 55 for K7 and K7T, IP 54 for K8 and K8T
Security	An appropriated electrician must perform electric connection

## Standard assortment

Type	Intended for	LxWxH mm	Article no
K7	G1¼"-G2"	115x95x62	1130541001
K7T	G1¼"-G2"	115x95x92	1130541101
K8	G2"	204x94x75	1125001003
K8T	G2"	204x94x130	1125001002



K7



K7T



K8

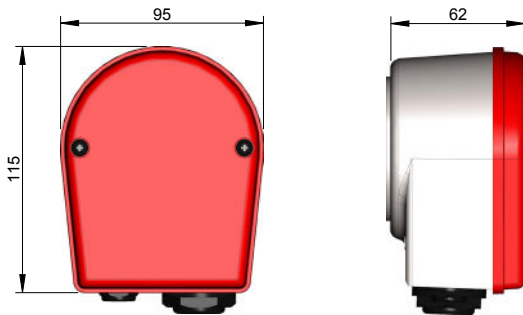


K8T

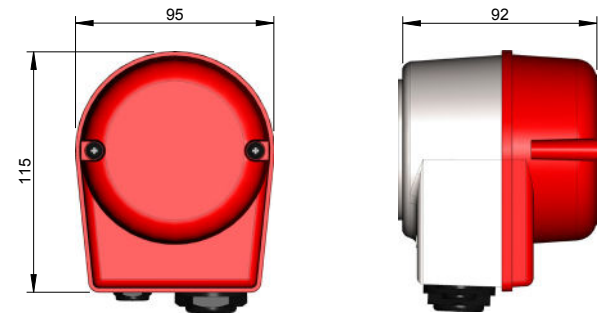
# BACKER TERMINAL BOXES K7, K7T, K8 AND K8T

BACKER

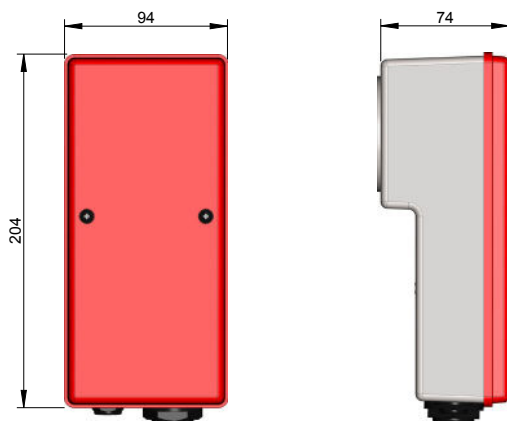
K7



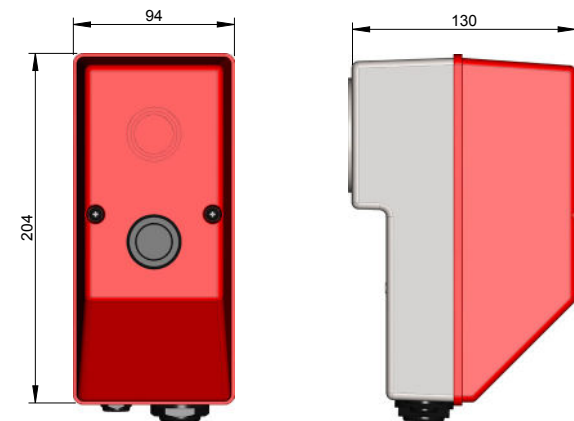
K7T



K8



K8T



## Options

Backer immersion/insertion heaters, different options  
Thermostats and safety temperature limiters, different options  
Adaption kit for G1½" - G2" article 1140871801