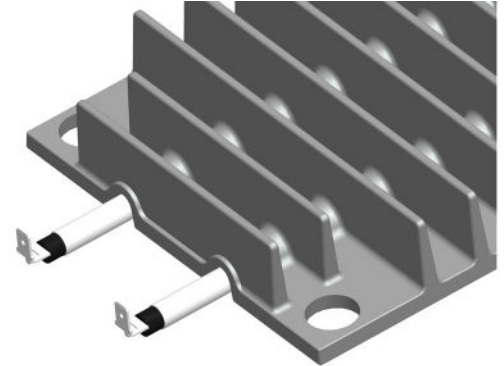


Description

The Backer Cast Iron Element offers good heat accumulation and high inertia. A heating element is fixed into the cast iron part with a design that guarantees an optimal heat transfer from the element. It can be designed with different types of fins to fit all types of radiators. The Backer Cast Iron Element is highly appreciated for the soft heat it conveys.



Example of connection tab terminal

Technical specification

Article number 6051041501 (750 W) & 6051240301 (1000W)

Material Grey iron

Fixing device Ceramic fixation on request

Connection Tab terminal

Design Two standard sizes*

Power Standard 750 W & 1000 W*

Voltage 230 V*

Safety The Element meets requirements acc. to EN 60335-1

*Other on request

Cast Iron Elements

BENEFITS

- Aerodynamic fins for optimal convection
- Increased radiation area
- Increased heat transfer from tube
- Soft radiation heating
- Heat accumulation / high inertia

FIELDS OF APPLICATION

- Dry radiators

