

# TERMNIAL BOX K11A COMPLETE WITH IMMERSION HEATER

BACKER

## Description

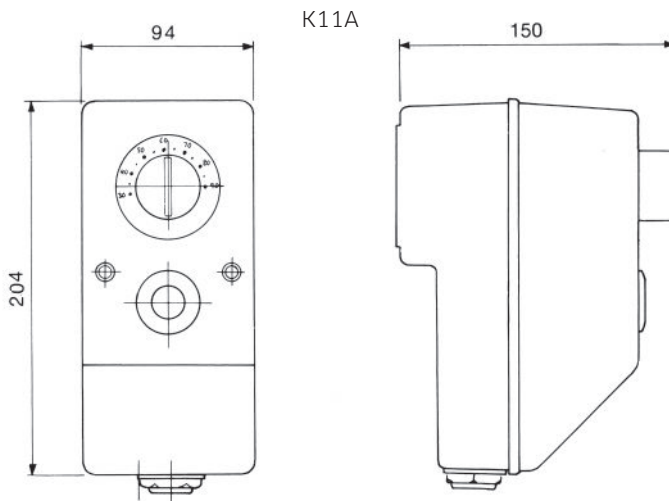
Complete immersion heater with terminal box of cast aluminium, with a cap of polycarbonate. The terminal box contains 2 pole thermostat 30-90°C max 16A 400V and 3 pole overheating protection 110°C max 20A 400V. Element tube in stainless steel and brass head R50. Tubular element of stainless acid-proof steel 1.4404 (AISI 316 L). Brass head R50 (G "). The immersion heater is approved for 9 bar, temperature 120°C . The box is provided with terminal block. Protection class IP 54.

## Technical specification

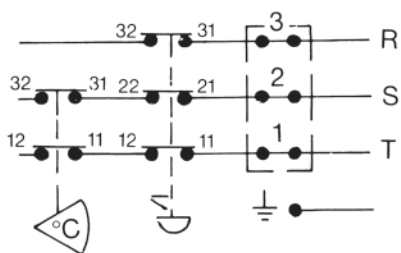
Terminal box	Patron	Insertion length	Item number (complete)
K11A 1120332701	IU39R 6kW 2520548003	390mm	2551135801
K11A 1120332701	IU311R 9kW 2520548004	390mm	2551135802
K11A 1120332701	IU3R 9kW 2520548005	755mm	



Terminal box K11A 6kW



Wiring diagram



K11A



Terminal box K11A 9kW