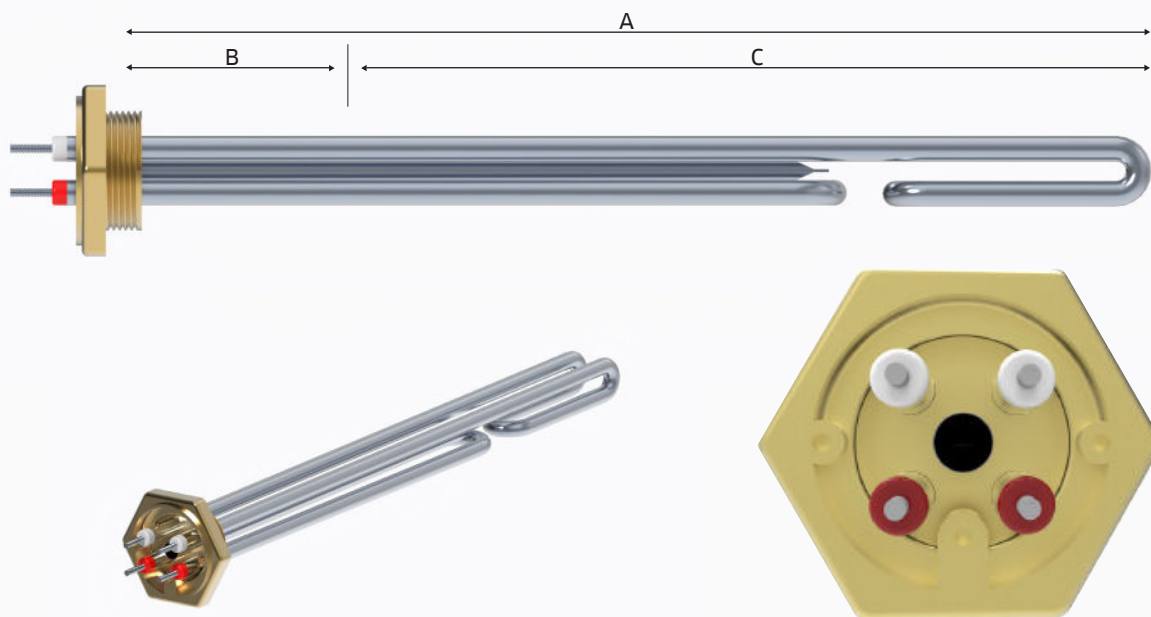


DATA SHEET

2520398103



TECHNICAL SPECIFICATIONS

Immersion heater	IU27
Article number	2520398103
Heating of	Water
Effect	2 000 W
Voltage	230 V
Insertion length (A)	250 mm
Inactive zone (B)	35 mm
Hot zone (C)	215 mm
Flange/Head	1 1/4" pipe thread brass head
Element material	AISI316L
Number of elements	2
Surface load	8,8 W/cm ²

Toll number: 8516 1000 | Weight: 0,50 kg



BACKER
NORSKE BACKER
HEATING SOLUTIONS

Norske Backer AS
Jostein Svendheims vei 8-10, 2212 Kongsvinger
Tlf.: +47 62 82 88 28 | marked@norskebacker.no
www.norskebacker.no