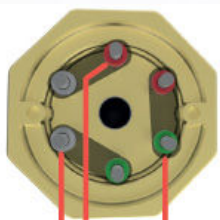
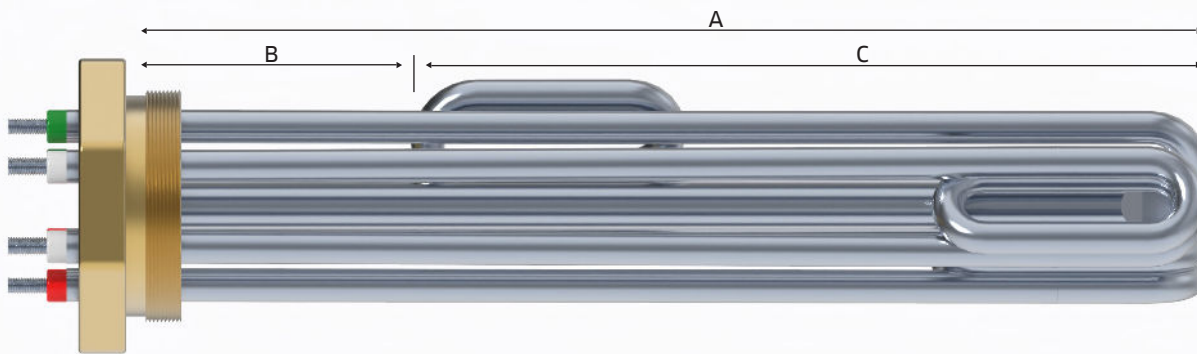
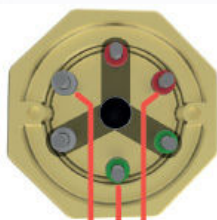


DATA SHEET

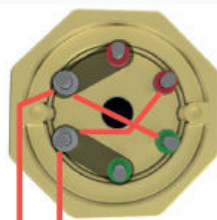
2530490205



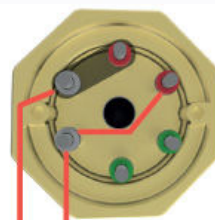
L1 L2 L3
Triangle connection



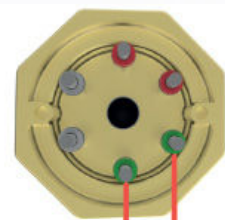
L1 L2 L3
Star connection



L1 L2
1-phase 3 elements



L1 L2
1-phase 2 elements



L1 L2
1-phase elements

TECHNICAL SPECIFICATIONS

| | |
|----------------------|---------------------------|
| Immersion heater | OE311 |
| Article number | 2530490205 |
| Heating of | Oil |
| Effect | 330 W |
| Voltage | 230 / 400 V |
| Insertion length (A) | 250 mm |
| Inactive zone (B) | 35 mm |
| Hot zone (C) | 215 mm |
| Flange/Head | 2" pipe thread brass head |
| Element material | AISI316L |
| Number of elements | 3 |
| Surface load | 0,9 W/cm ² |

Toll number: 8516 1000 | Weight: 0,80 kg



BACKER
NORSKE BACKER
HEATING SOLUTIONS

Norske Backer AS
Jostein Svendheims vei 8-10, 2212 Kongsvinger
Tlf.: +47 62 82 88 28 | marked@norskebacker.no
www.norskebacker.no