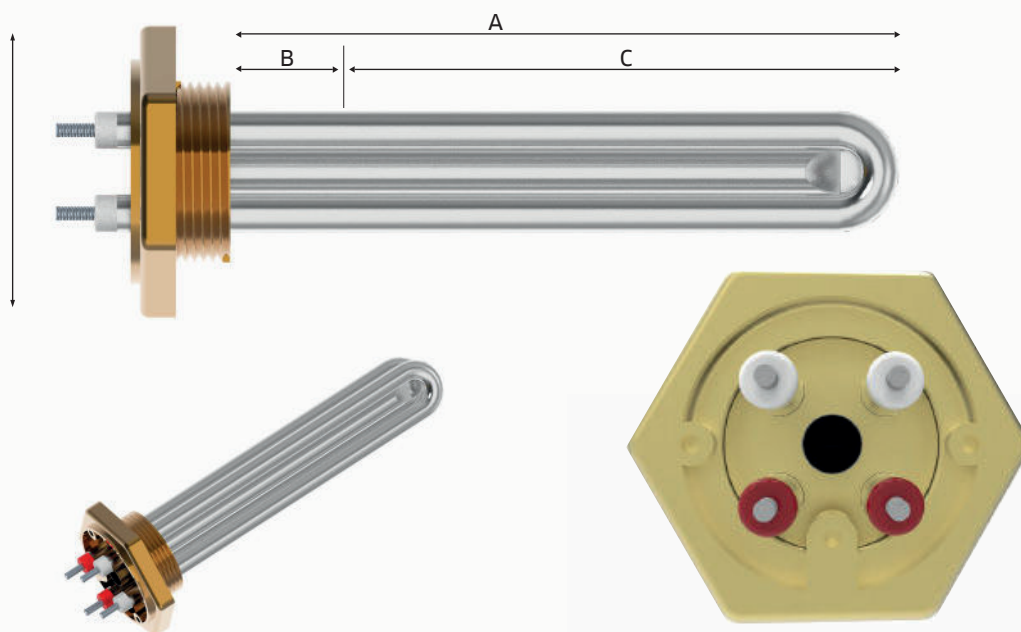


DATA SHEET

2520398101



TECHNICAL SPECIFICATIONS

Immersion heater	IU25
Article number	2520398101
Heating of	Water
Effect	1 000 W
Voltage	230 V
Insertion length (A)	160 mm
Inactive zone (B)	20 mm
Hot zone (C)	140 mm
Flange/Head	1 ¼" pipe thread brass head
Element material	AISI316L
Number of elements	2
Surface load	8,8 W/cm ²
Wrench size	57 mm

Toll number: 8516 1000 | Weight: 0,40 kg



BACKER
NORSKE BACKER
HEATING SOLUTIONS

Norske Backer AS

Jostein Svendheims vei 8-10, 2212 Kongsvinger

Tlf.: +47 62 82 88 28 | marked@norskebacker.no

www.norskebacker.no