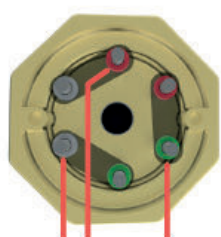
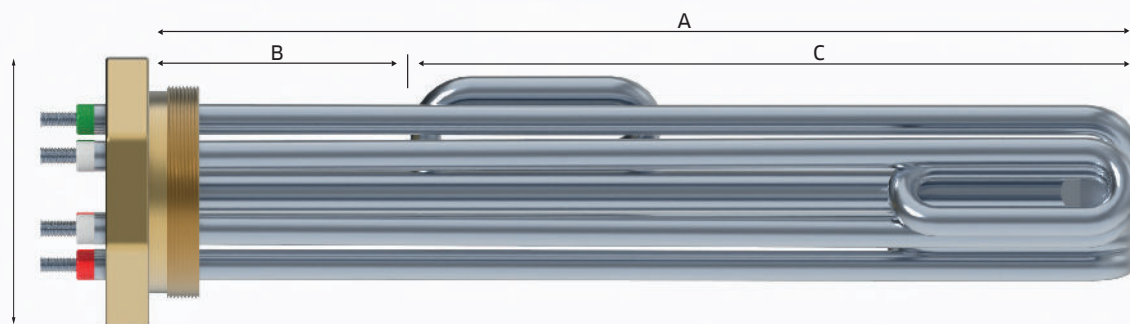
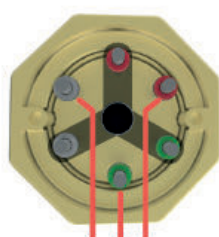


DATA SHEET

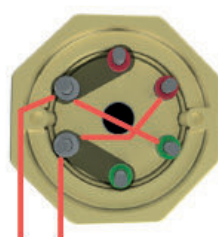
2530490205



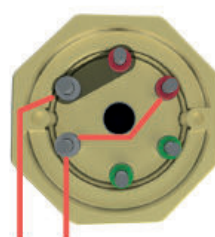
L1 L2 L3
Triangle connection



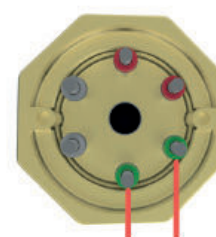
L1 L2 L3
Star connection



L1 L2
1-phase 3 elements



L1 L2
1-phase 2 elements



L1 L2
1-phase elements

TECHNICAL SPECIFICATIONS

Immersion heater	OE311
Article number	2530490205
Heating of	Oil
Effect	330 W
Voltage	230 / 400 V
Insertion length (A)	250 mm
Inactive zone (B)	35 mm
Hot zone (C)	215 mm
Flange/Head	2" pipe thread brass head
Element material	AISI316L
Number of elements	3
Surface load	0,9 W/cm ²
Wrench size	74 mm

Toll number: 8516 1000 | Weight: 0,80 kg



BACKER
NORSKE BACKER
HEATING SOLUTIONS

Norske Backer AS

Jostein Svendheims vei 8-10, 2212 Kongsvinger

Tlf.: +47 62 82 88 28 | marked@norskebacker.no

www.norskebacker.no